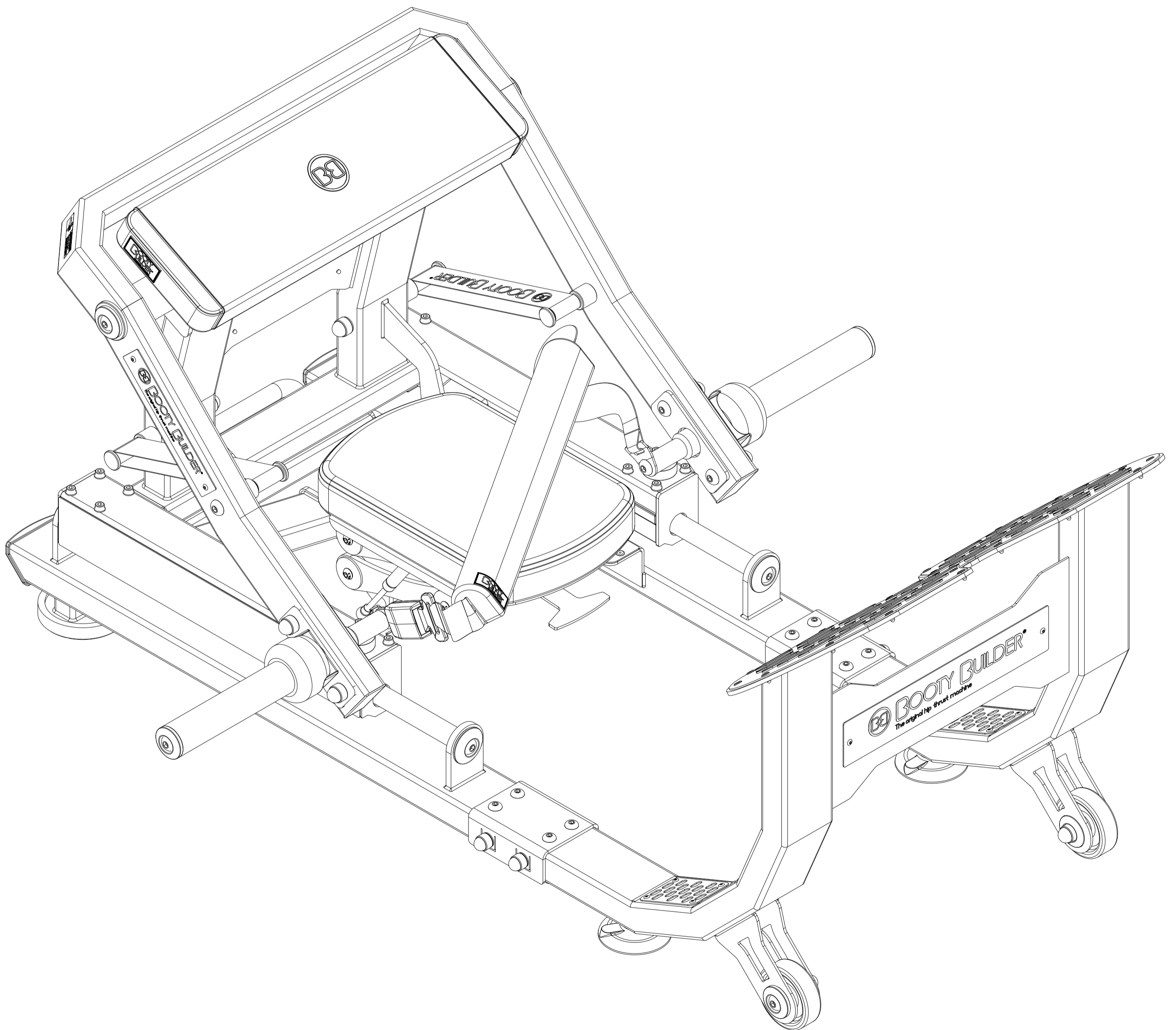


ASSEMBLY INSTRUCTION

BOOTY BUILDER PLATINUM



BEFORE ASSEMBLY

- ▶ This must be read before you start assembling this unit.
- ▶ You must follow the assembly instructions exactly as outlined.
- ▶ Assemble this unit starting at the beginning and work to the end
- ▶ The assembly instructions are set out so that you are only doing one section at a time, therefore you will finish one section and move on to the next.
- ▶ If something is missing when assembling this unit, you must notify us of the part number of the exact nut, bolt or part that is missing.
- ▶ To help you assemble this unit we have used line drawings.
- ▶ Check the line drawings for the exact positioning of the parts.
- ▶ The unit will need to be checked at least once a week for nuts and bolts that can work loose, upholstered pieces working loose and wear on pivot assemblies.

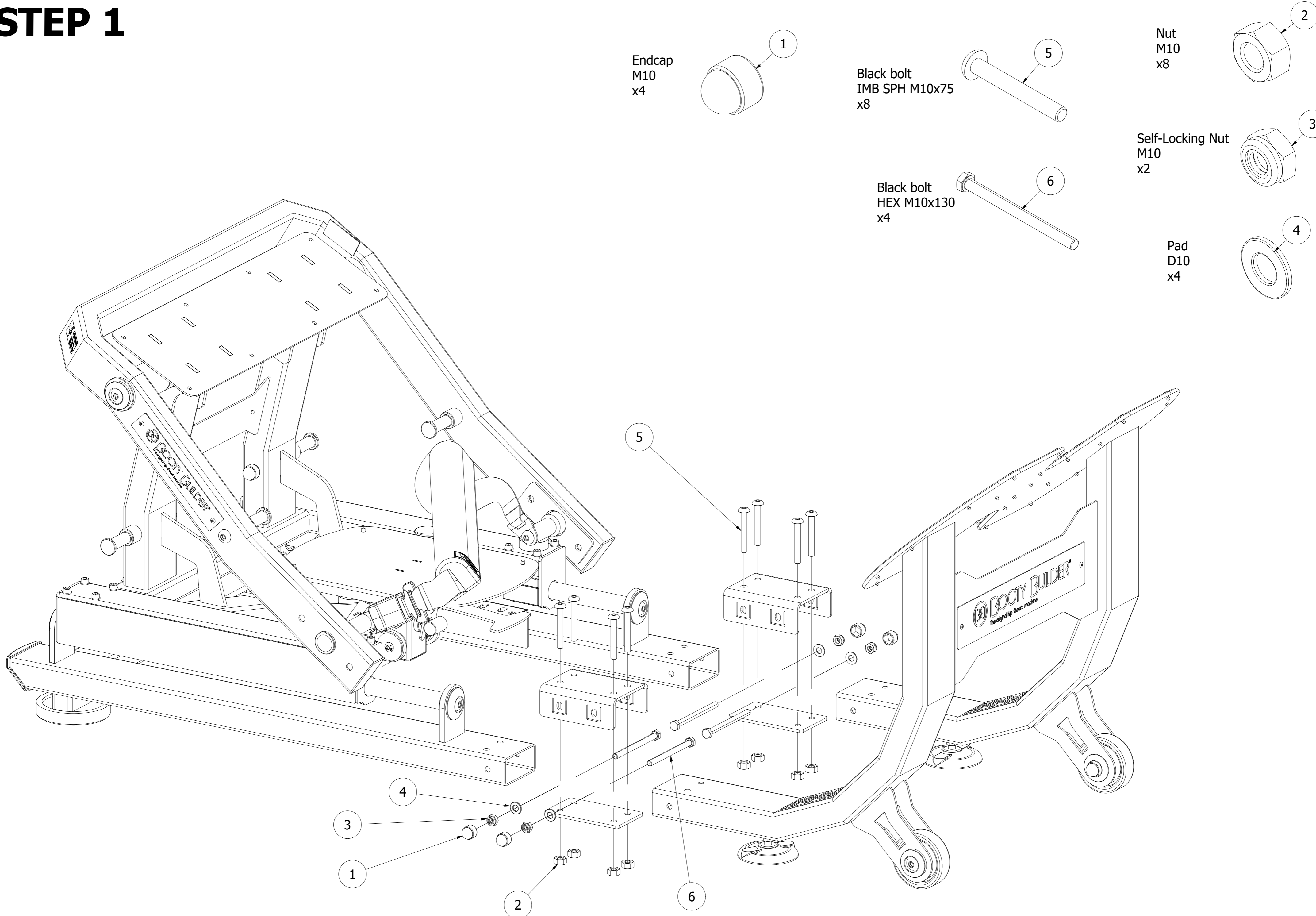
TOOLS NEEDED

KEY FLAT EYE
17x2 / 19x1

HEX KEY
5 / 6 / 8

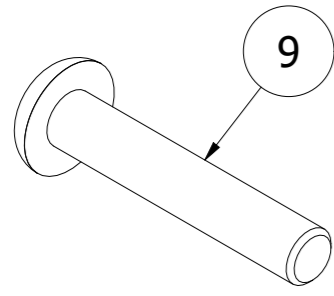


STEP 1



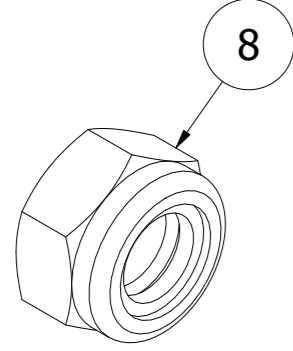
STEP 2

Black bolt
IMB SPH M12x65
x4



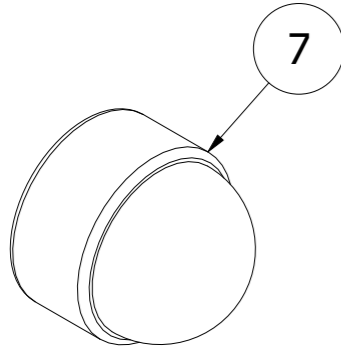
9

Self-Locking Nut
M12
x4

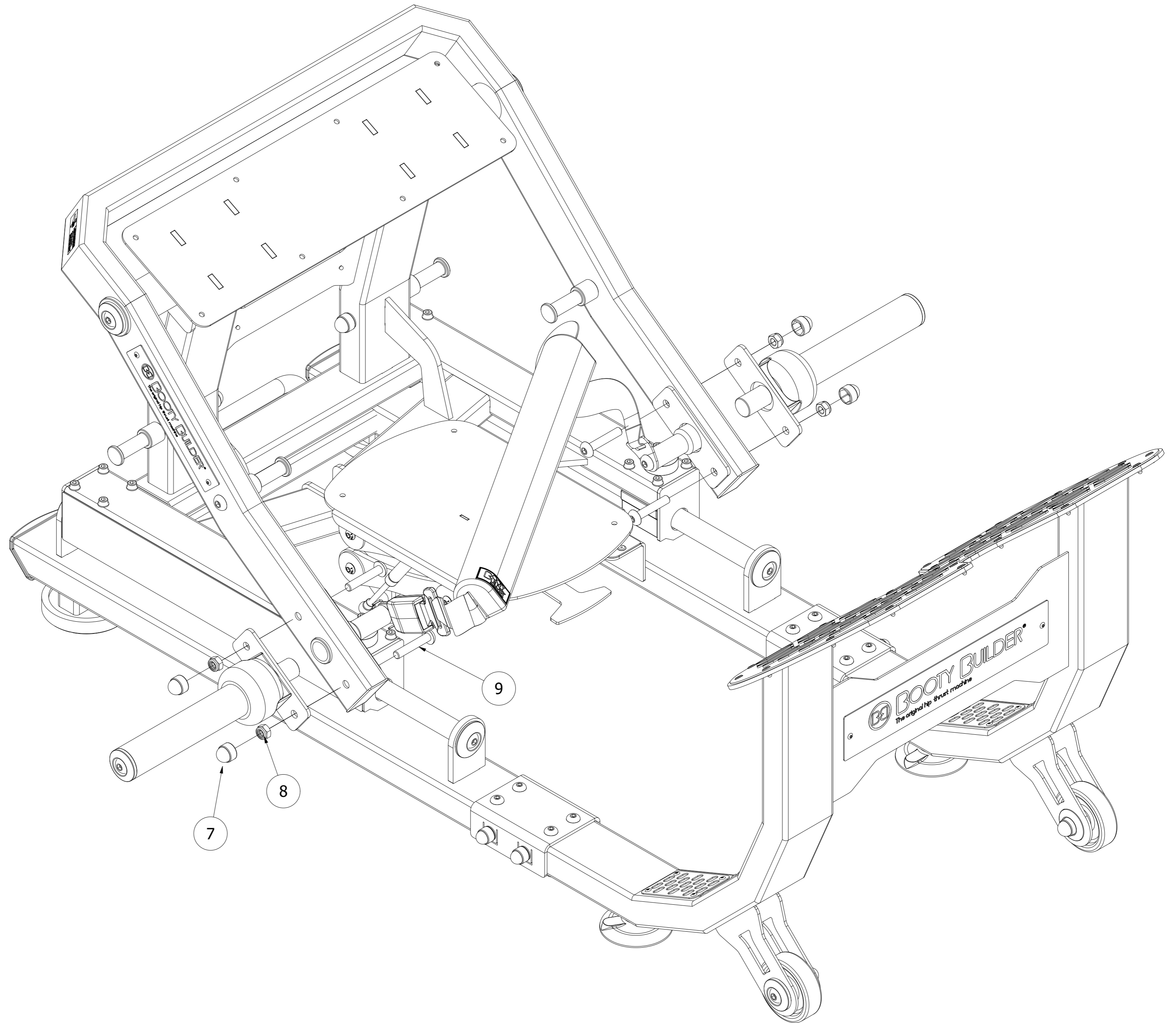


8

Endcap
M12
x4

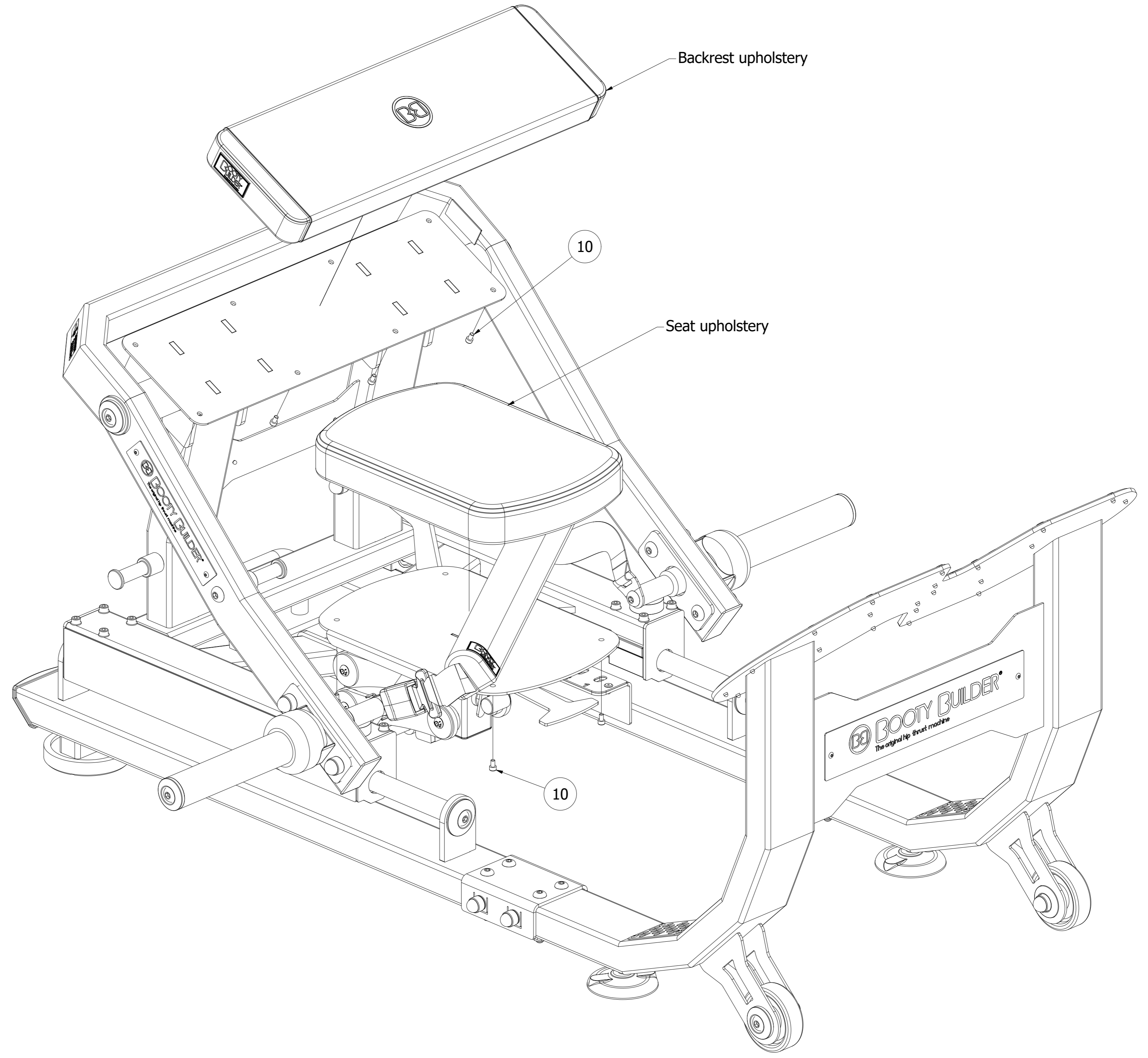
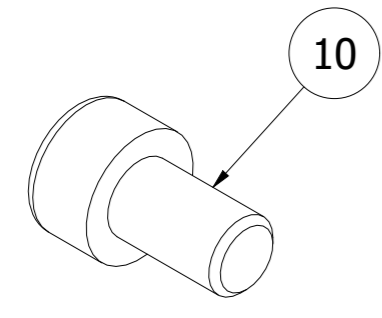


7



STEP 3

Bolt
IMB M6x10
x12



Backrest upholstery

Seat upholstery

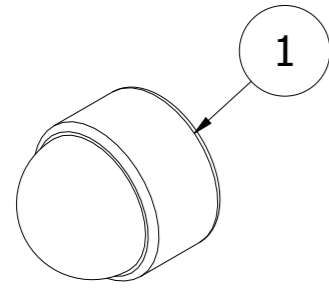
10

10

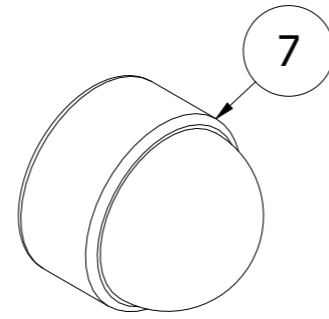
10

PARTS LIST

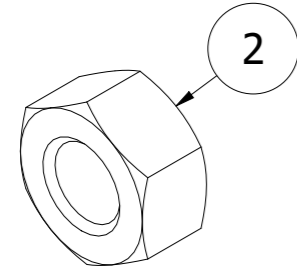
Endcap
M10
x4



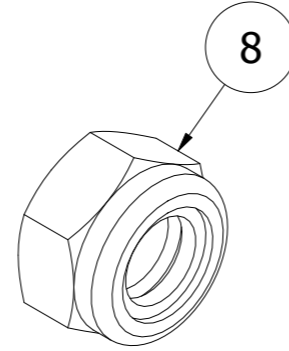
Endcap
M12
x4



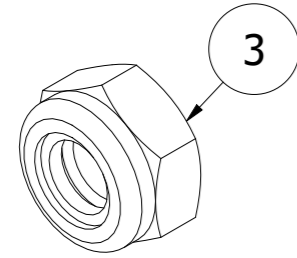
Nut
M10
x8



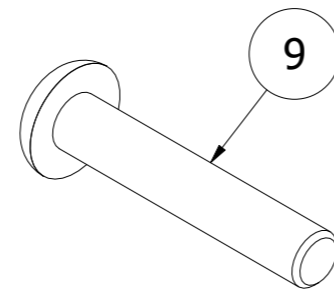
Self-Locking Nut
M12
x4



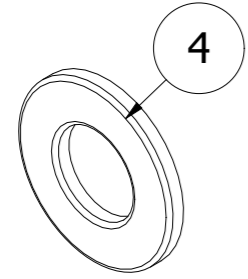
Self-Locking Nut
M10
x2



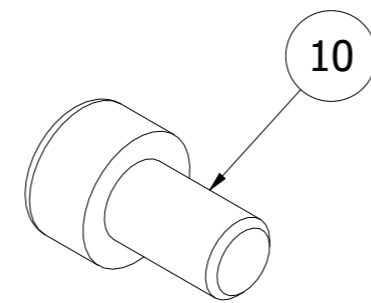
Bolt
IMB SPH M12x65
x4



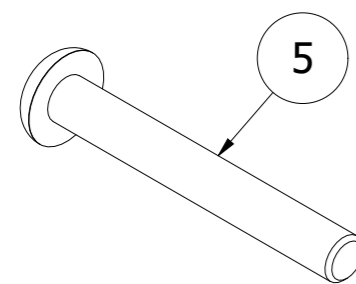
Pad
D10
x4



Bolt
IMB M6x10
x12



Bolt
IMB SPH M10x75
x8



Bolt
HEX M10x130
x4

